

AC7069M Datasheet

Zhuhai Jieli Technology Co.,LTD

Version 1.3

Date 2024.07.30

Copyright © Zhuhai Jieli Technology Co.,LTD. All rights reserved.

Revision History

Date	Revision	Description
2023.10.13	V1.0	Initial Release
2023.10.24	V1.1	Update Block Diagram
2023.11.03	V1.2	Update BT_Features Update IC Marking Information
2024.07.30	V1.3	Update Datasheet Format And Content Update Pin Description



Table of Contents

Revision History	1
Table of Contents	2
AC7069M Features	3
1 Block Diagram	4
2 Pin Definition	5
2.1 Pin Assignment	5
2.2 Pin Description	6
3 Electrical Characteristics	8
3.1 Absolute Maximum Ratings	8
3.2 ESD Ratings	8
3.3 PMU Characteristics	8
3.4 Battery Charge	9
3.5 IO Characteristics	9
3.6 Audio DAC Characteristics	10
3.7 Audio ADC Characteristics	12
3.8 BT Characteristics	13
4 Package Information	14
4.1 SOP16	14
5 IC Marking Information	15
6 Solder-Reflow Condition	16

AC7069M Features

SYSTEM

- 32-bit Single-core DSP 192MHz
- With IEEE754 Single precision FPU
- Support FFT/MATRIX/MATH
- 1 x I-cache
- Support EMU
- Support MMU
- Support MPU
- Built-In Flash
- 24MHz crystal oscillator
- Internal RC oscillator, PLL

DSP Audio Processing

- SBC/AAC codec
- mSBC voice codec supported for BT phone
- PLC for voice processing
- Single MIC ENC
- Multi-band DRC
- Multi-band EQ
- Support spatial sound

Audio

- 2 x 16bit DAC
 - ❖ SNR 108dB
 - ❖ Noise 6uVrms
 - ❖ Support differential mode
 - ❖ Sampling rate 8~96kHz
- 1 x 16bit ADC
 - ❖ SNR 98dB
 - ❖ Sampling rate 8~48kHz
 - ❖ Support AMUX
- I²S AUDIO Master/Slave interface

Bluetooth

- Dual-mode BT5.4 with LE Audio (QDID 222830)
- Support LE audio BIS/CIS
- Support long range BLE
- Maximum transmitting power 10dBm
- Receiver sensitivity
 - ❖ -92dBm @BR

- ❖ -91dBm @EDR $\pi/4$ DQPSK
- ❖ -85dBm @EDR 8DPSK

Peripherals

- 1 x Full speed USB
- 4 x Multi-function 16bit timer
- 2 x UART interface
- 1 x I²C Master/Slave interface
- 2 x SPI Master/Slave interface
- 1 x QDEC
- 4 x MCPWM
- 1 x 10bit ADC(7 Channel)
- 7 x GPIO Support function remapping

PMU

- Integrated battery charger up to 300mA
- Support temperature sensor
- VPWR range 4.5V to 5.5V
- VBAT range 2.7V to 4.5V
- IOVDD range 2.7V to 3.6V

Packages

- SOP16

Temperature

- Operating temperature
 - TC = -20°C to +85°C (standard range)
 - TC = -40°C to +105°C (extended range)
- Storage temperature -65°C to +150°C

Applications

- Wireless microphone

1 Block Diagram

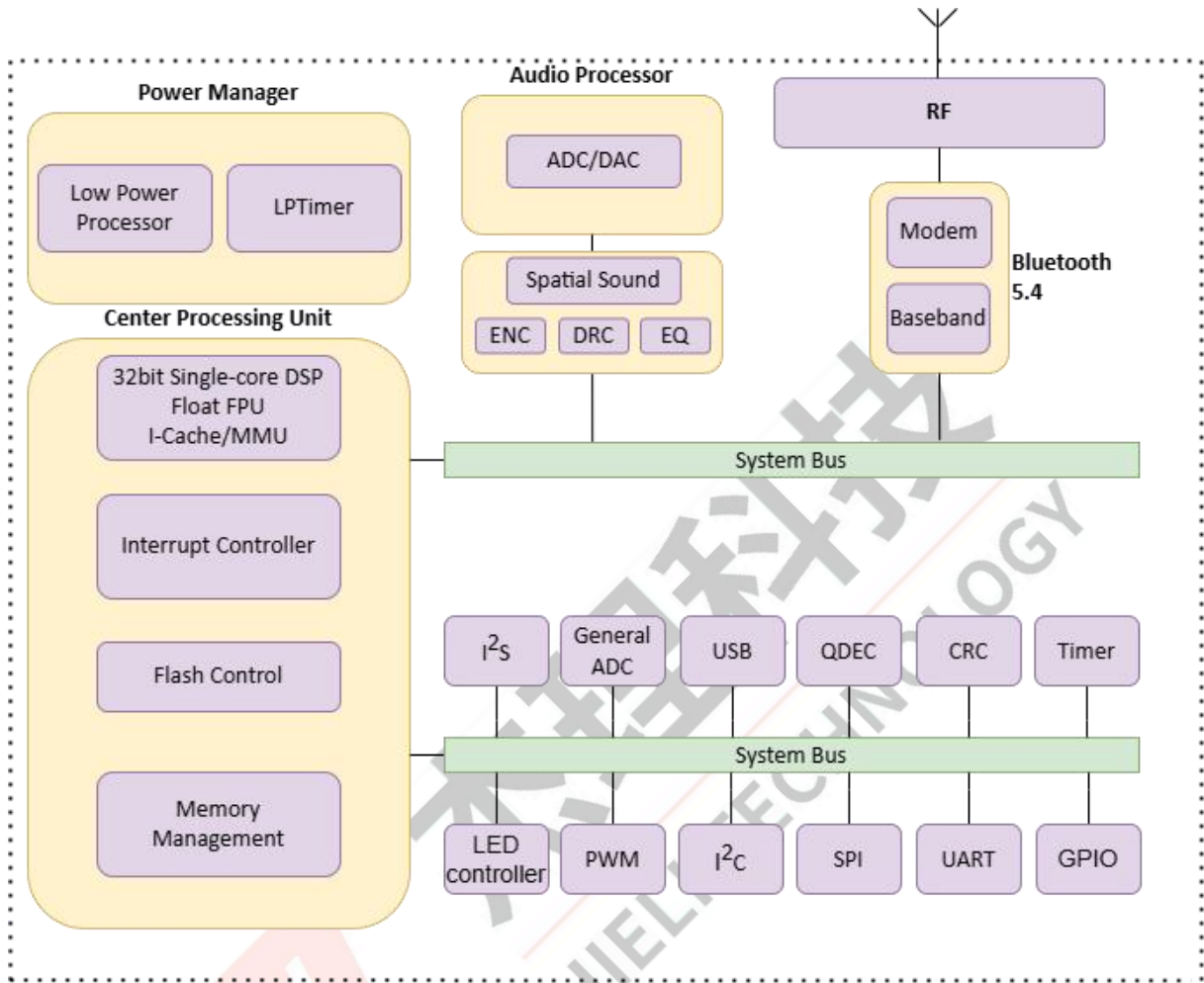


Figure 1-1 AC7069M Block Diagram

2 Pin Definition

2.1 Pin Assignment

VPWR	○				
	1			16	DACR/PB6
VBAT				15	DACL
	2			14	AVSS
IOVDD				13	PA1/PA0
	3			12	PA3
PB1		AC7069M		11	PA4
	4	SOP16		10	USBDP/PC2
VSS				9	USBDM/PC3
	5				
BTRF					
	6				
XOSCI					
	7				
XOSCO					
	8				

Figure 2-1 AC7069M Pin Assignment

2.2 Pin Description

Table 2-2-1 AC7069M Pin Description

Pin No.	Name	Type	IO Initial State	Description
1	VPWR	I/O	Z	Charge Power Input UART0 TX(C) UART0 RX(C) TIMER3 PWM TIMER1 Capture
2	VBAT	P	--	Battery Input
3	IOVDD	P	--	IO Power
4	PB1	I/O	200kΩ Pull-up	Hold down 0 to reset UART0 RX(B) TIMER2 CLK
5	VSS	G	--	Ground
6	BTRF	RF	--	Bluetooth RF Antenna
7	XOSCI	I	--	Crystal Oscillator Input
8	XOSCO	O	--	Crystal Oscillator Output
9	USBDM	I/O	15kΩ Pull-down	ADC14(ADC Input Channel 14) USB Negative Data SPI1 DATA0(D) I ² C SDA(A)
	PC3	I/O	Z	ADC10(ADC Input Channel 10) SPI1 Data1(B) SPI1 Data1(D) UART0 TX(D) UART0 RX(D) TIMER2 Capture
10	USBDP	I/O	15kΩ Pull-down	ADC13(ADC Input Channel 13) USB Positive Data SPI1 CLK(D) I ² C SCL(A)
	PC2	I/O	Z	ADC15(ADC Input Channel 15) SPI1 DATA2(B) SPI1 DATA2(C) SPI1 DATA2(D) I ² S MCLK(B)
11	PA4	I/O	Z	ADC3(ADC Input Channel 3) AUX2(Audio ADC Input) SPI1 DATA1(A) I ² S LRCK(A) I ² S Data3(B)

Pin No.	Name	Type	Initial State	Description
12	PA3	I/O	Z	ADC2(ADC Input Channel 2) AUX1(Audio ADC Input) SPI1 DATA0(A) I ² S SCLK(A) I ² S Data2(B)
13	PA1	I/O	Z	ADC1(ADC Input Channel 1) MIC(Audio ADC Input) I ² S Data1(A)
	PA0	I/O	Z	ADC0(ADC Input Channel 0) MICBIAS(MIC Bias Output) I ² S Data0(A) I ² S Data0(B) Clockout0
14	AVSS	G	--	Audio Ground
15	DACL	O	--	Left Channel DAC Output
16	DACR	O	--	Right Channel DAC Output
	PB6	I/O	Z	ADC8(ADC Input Channel 8) AUX0(Audio ADC Input) SPI0 CLK(B) SPI1 CLK(C) I ² C SCL(C) TIMER3 CLK

Note

1. IO initial state abbreviations Z--High resistance, H--High level, L--Low level, X--May be changed during power on.
2. Timer, UART0 functions also can be remapped to any I/O.
3. MCPWM, UART1, SD and QDEC functions can be remapped to any I/O.

Table 2-2-2 Pin Types Description

Pin Type	Description	Pin Type	Description
P	Power	I/O	Input or Output
G	Ground	I	Input
RF	RF antenna	O	Output

3 Electrical Characteristics

3.1 Absolute Maximum Ratings

Table 3-1 Absolute Maximum Ratings

Symbol	Parameter	Min	Max	Unit
Topt	Operating temperature	-20	+85	°C
Tstg	Storage temperature	-65	+150	°C
VBAT	Supply Voltage	-0.3	4.5	V
VPWR		-0.3	6.0	V
IOVDD		-0.3	3.6	V
GPIO	Input voltage of GPIO	-0.3	3.6	V

Note

1. Stresses beyond those listed under absolute maximum ratings may cause permanent damage to the device.

3.2 ESD Ratings

Table 3-2 ESD Ratings

Parameter	Typ	Test pin	Reference standard
Human Body Mode	±4kV	All pins	JEDEC EIA/JESD22-A114
Machine Mode	±400V	All pins	JEDEC EIA/JESD22-A115
Charge Device Model	±2kV	All pins	JEDEC EIA/JESD22-C101F

3.3 PMU Characteristics

Table 3-3 PMU Characteristics

Symbol	Parameter	Conditions	Min	Typ	Max	Unit
VPWR	Power supply	--	4.5	5.0	5.5	V
VBAT	Power supply	--	2.7	3.7	4.5	V
Operating mode						
Symbol	Parameter	Conditions	Min	Typ	Max	Unit
IOVDD	Voltage output	--	--	3.0	--	V
	Loading current	IOVDD=3.0V@VBAT = 3.7V	--	--	250	mA
Low Power mode						
Symbol	Parameter	Conditions	Min	Typ	Max	Unit
IOVDD	Loading current	IOVDD=3.0V@VBAT = 3.7V	--	--	10	mA

3.4 Battery Charge

Table 3-4 Charger Characteristics

Symbol	Parameter	Min	Typ	Max	Unit
VPWR	Charge Input Voltage	VBAT+0.1V	5.0	5.5	V
CV	CV Mode Voltage Accuracy	4.175	4.2	4.225	V
		4.325	4.35	4.375	V
CC	CC Mode Current	20	--	300	mA
I _{end}	End Of Charge Current	2	--	30	mA
V _{Trickl}	Trickle Charge Voltage	--	3.0	--	V

3.5 IO Characteristics

Table 3-5 IO Characteristics

Input Characteristics						
Symbol	Parameter	Conditions	IO	Min	Max	Unit
V _{IL}	Low-Level Input Voltage	IOVDD = 3.0V	PA0,PA1,PA3,PA4 PB1,PB6 PC2,PC3 USBDP USBDM VPWR	-0.3	1.4	V
V _{IH}	High-Level Input Voltage	IOVDD = 3.0V	PA0,PA1,PA3,PA4 PB1,PB6 PC2,PC3 USBDP USBDM	1.7	3.3	V
		IOVDD = 3.0V	VPWR	1.7	5.5	V
Output Characteristics						
Symbol	Parameter	Conditions	IO	Typ	Unit	
I _{OL}	Output Current	IOVDD = 3.0V Voutput = 0.3V	PA0,PA1,PA3,PA4 PB1,PB6 PC2,PC3	2(HD=0) 6(HD=1) 20(HD=2) 24(HD=3)	mA	
		IOVDD = 3.0V Voutput = 0.3V	VPWR	2	mA	
		IOVDD = 3.0V Voutput = 0.3V	USBDP USBDM	8	mA	
I _{OH}	Output Current	IOVDD = 3.0V Voutput = 2.7V	PA0,PA1,PA3,PA4 PB1,PB6 PC2,PC3	2(HD=0) 6(HD=1) 20(HD=2) 45(HD=3)	mA	
		IOVDD = 3.0V	VPWR	2	mA	

		Voutput = 2.7V			
		IOVDD = 3.0V	USBDP	8	mA
		Voutput = 2.7V	USBDM		
Internal Resistance Characteristics					
Symbol	Parameter	Conditions	IO	Typ	Unit
R _{pu}	Pull-up Resistance	IOVDD = 3.0V	PA0,PA1,PA3,PA4 PB6 PC2,PC3	10k	Ω
		IOVDD = 3.0V	PB1 VPWR	200k	Ω
		IOVDD = 3.0V	USBDP	1.5k	Ω
		IOVDD = 3.0V	USBDM	180k	Ω
R _{pd}	Pull-down Resistance	IOVDD = 3.0V	PA0,PA1,PA3,PA4 PB1,PB6 PC2,PC3 VPWR	10k	Ω
		IOVDD = 3.0V	USBDP USBDM	15k	Ω

Note

1. Internal pull-up/pull-down resistance accuracy ±20%

3.6 Audio DAC Characteristics

Table 3-6 DAC Characteristics

Parameter	Conditions	Min	Typ	Max	Unit
Resolution	--	--	16	--	bit
Sample Rate	--	8	--	96	kHz
SNR ^①	Differential Mode Fin=1kHz@0dBFS Fs=44.1kHz B/W=20Hz~20kHz A-Weighted load=10kΩ	--	108	--	dB
	Single-ended Mode Fin=1kHz@0dBFS Fs=44.1kHz B/W=20Hz~20kHz A-Weighted load=10kΩ	--	97	--	dB
Dynamic Range	Differential Mode Fin=1kHz@-60dBFS Fs=44.1kHz B/W=20Hz~20kHz A-Weighted	--	102	--	dB

Parameter	Conditions	Min	Typ	Max	Unit
	load=10kΩ				
	Single-ended Mode Fin=1kHz@-60dBFS Fs=44.1kHz B/W=20Hz~20kHz A-Weighted load=10kΩ	--	94	--	dB
THD+N	Differential Mode Fin=1kHz@0dBFS Fs=44.1kHz B/W=20Hz~20kHz A-Weighted load=32Ω	--	-85	--	dB
	Single-ended Mode Fin=1kHz@0dBFS Fs=44.1kHz B/W=20Hz~20kHz A-Weighted load=32Ω	--	-80	--	dB
Noise Floor	Differential Mode B/W=20Hz~20kHz A-Weighted load=10kΩ	--	13	--	uVrms
	Single-ended Mode B/W=20Hz~20kHz A-Weighted load=10kΩ	--	16	--	uVrms
Noise Floor with MUTE	Differential Mode B/W=20Hz~20kHz A-Weighted load=10kΩ	--	6	--	uVrms
	Single-ended Mode B/W=20Hz~20kHz A-Weighted load=10kΩ	--	12	--	uVrms
Stereo Crosstalk	Single-ended Mode Fin=1kHz@0dBFS Fs=44.1kHz B/W=20Hz~20kHz A-Weighted load=10kΩ	--	-110	--	dB
Max Output Power	Differential Mode Fin=1kHz@0dBFS Fs=44.1kHz B/W=20Hz~20kHz A-Weighted load=16Ω THD+N < 0.1%	--	82	--	mW
	Single-ended Mode Fin=1kHz@0dBFS Fs=44.1kHz	--	33	--	mW

Parameter	Conditions	Min	Typ	Max	Unit
	B/W=20Hz~20kHz A-Weighted load=16Ω THD+N<0.1%				

Note

- ① SNR is the ratio of output level with a 1kHz full-scale input to output level with MUTE on

3.7 Audio ADC Characteristics

Table 3-7 Audio ADC Characteristics

Parameter	Conditions	Min	Typ	Max	Unit
Resolution	--	--	16	--	bit
Sample Rate	--	8	--	48	kHz
SNR	Differential input Mode Fin=1kHz@0dBFS Fs=44.1kHz B/W=20Hz~20kHz A-Weighted ADC gain=0dB	--	98	--	dB
	Single-ended input Mode Fin=1kHz@0dBFS Fs=44.1kHz B/W=20Hz~20kHz A-Weighted ADC gain=0dB	--	94	--	dB
Dynamic Range	Differential input Mode Fin=1kHz@-60dBFS Fs=44.1kHz B/W=20Hz~20kHz A-Weighted ADC gain=0dB	--	98	--	dB
	Single-ended input Mode Fin=1kHz@-60dBFS Fs=44.1kHz B/W=20Hz~20kHz A-Weighted ADC gain=0dB	--	94	--	dB
THD+N	Differential input Mode Fin=1kHz@0dBFS Fs=44.1kHz B/W=20Hz~20kHz A-Weighted ADC gain=0dB	--	-90	--	dB
	Single-ended input Mode Fin=1kHz@0dBFS Fs=44.1kHz B/W=20Hz~20kHz A-Weighted ADC gain=0dB	--	-80	--	dB

Parameter	Conditions	Min	Typ	Max	Unit
Analogue Gain	--	-6	--	21	dB
Max Input Level	Differential input Mode ADC gain=0dB	--	2	--	Vrms
	Single-ended input Mode ADC gain=0dB	--	1	--	Vrms

3.8 BT Characteristics

3.8.1 Transmitter

Table 3-8-1 Transmitter characteristics

Parameter	Conditions	Min	Typ	Max	Unit
Maximum RF Transmit Power	BR	--	7.5	10	dBm
Maximum RF Transmit Power	EDR $\pi/4$ DQPSK EDR 8DPSK	--	7.5	--	dBm
Relative Transmit Power	EDR $\pi/4$ DQPSK EDR 8DPSK	--	-3	--	dB
Maximum RF Transmit Power	BLE-1Mbps	--	7.5	--	dBm

3.8.2 Receiver

Table 3-8-2 Receiver characteristics

Parameter	Conditions	Min	Typ	Max	Unit
Sensitivity	BR	--	-92	--	dBm
	EDR $\pi/4$ DQPSK	--	-91	--	dBm
	EDR 8DPSK	--	-85	--	dBm
	BLE-1Mbps	--	-97	--	dBm
	BLE-2Mbps	--	-94	--	dBm

4 Package Information

4.1 SOP16

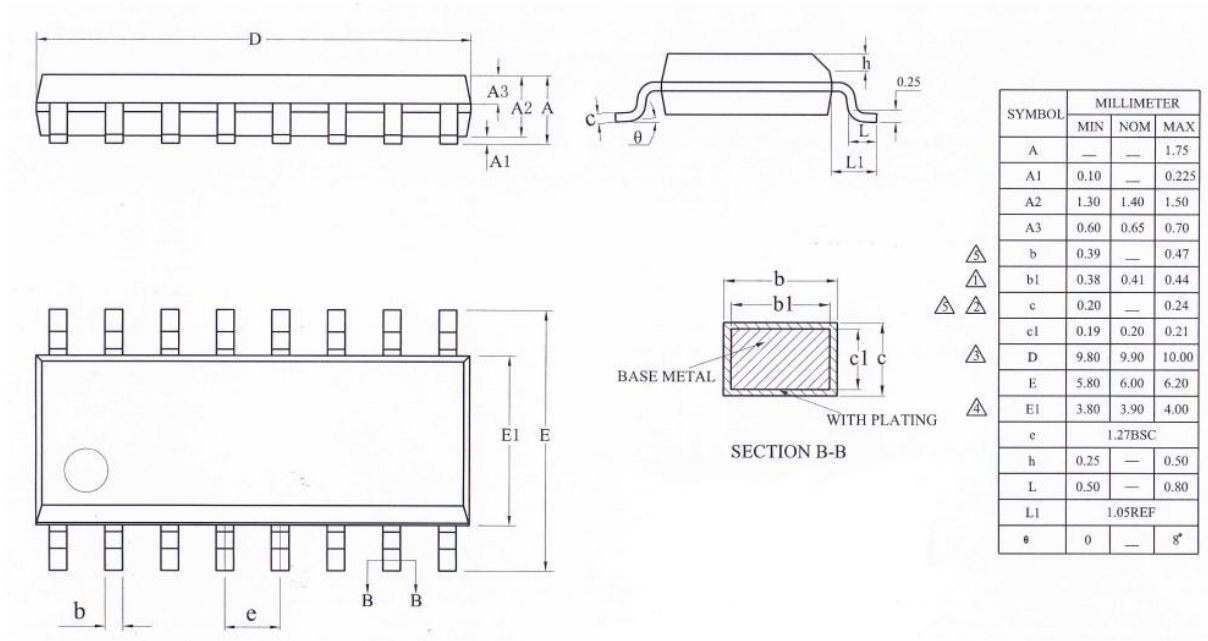


Figure 4-1 AC7069M Package

5 IC Marking Information

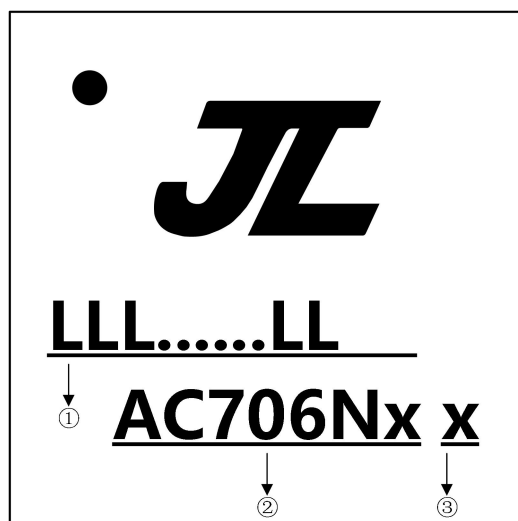


Figure 5-1 AC7069M Package Outline

- ① LLL.....LL LOT No. , It contains 7 to 18 alphanumeric
- ② AC706Nx Chip Model
- ③ x Built-in flash size
 - 0 No Flash Memory
 - 2 2Mbit Flash
 - 4 4Mbit Flash
 - 8 8Mbit Flash
 - 6 16Mbit Flash
 - 3 32Mbit Flash

6 Solder-Reflow Condition

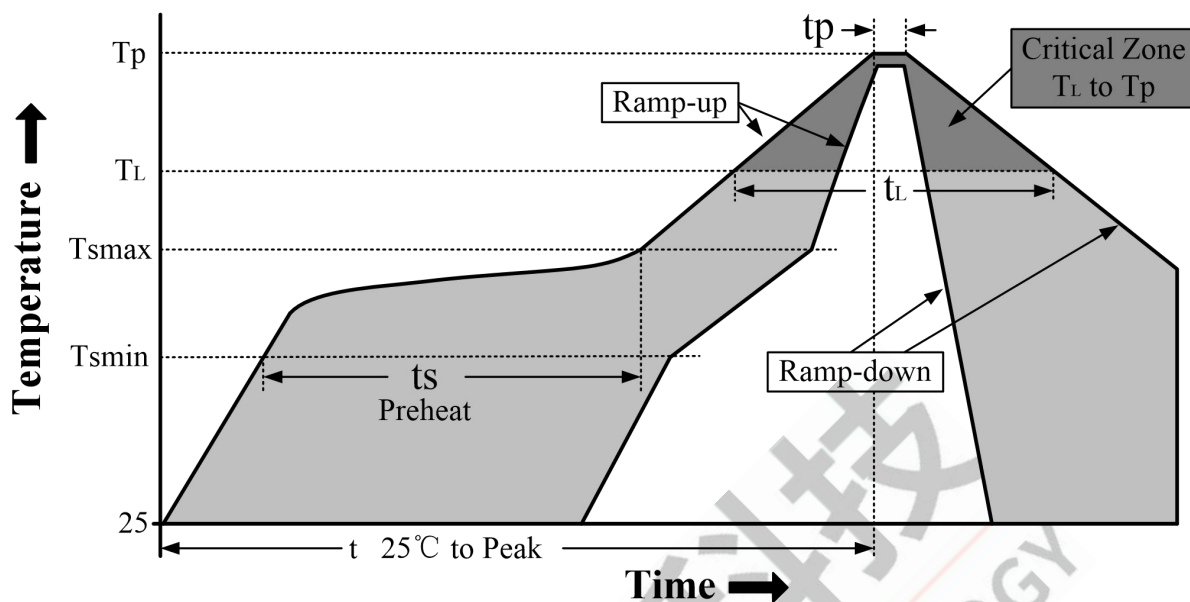


Figure 6-1 Classification Reflow Profile

Table 6-1 Classification Profiles

Profile Feature		Sn-Pb Eutectic Assembly	Pb-Free Assembly
Preheat/Soak	Temperature Min (T_{smin})	100°C	150°C
	Temperature Max (T_{smax})	150°C	200°C
	Time (t_s) from (T_{smin} to T_{smax})	60-120 seconds	60-180 seconds
Average ramp-up rate (T_{smax} to T_p)		3°C/second max	3°C/second max
Liquidous temperature (T_L)		183°C	217°C
Time (t_L) maintained above T_L		60-150 seconds	60-150 seconds
Peak package body temperature (T_p)		See Table 6-2	See Table 6-3
Time within 5°C of actual Peak Temperature (t_p) ²		10-30 seconds	20-40 seconds
Ramp-down rate (T_p to T_L)		6°C/second max	6°C/second max
Time 25°C to peak temperature		6 minutes max	8 minutes max

Note

- 1.All temperatures refer to topside of the package, measured on the package body surface
- 2.Time within 5°C of actual peak temperature (t_p) specified for the reflow profiles is a “supplier” and “user” maximum.

Table 6-2 SnPb Classification Temperature

Package Thickness	Volume mm ³	Volume mm ³
	< 350	≥ 350
<2.5 mm	240 +0/-5°C	225 +0/-5°C
≥2.5 mm	225 +0/-5°C	225 +0/-5°C

Table 6-3 Pb-free - Classification Temperature

Package Thickness	Volume mm ³ < 350	Volume mm ³ 350 - 2000	Volume mm ³ > 2000
< 1.6mm	260°C	260°C	260°C
1.6 mm - 2.5mm	260°C	250°C	245°C
> 2.5mm	250°C	245°C	245°C

Note

1.*Tolerance The device manufacturer/supplier shall assure process compatibility up to and including the stated classification temperature (this means Peak reflow temperature +0°C.For example 260°C+0°C)at the rated MSL level.

